

# GRANISMART

## Granita Freezer

### Models Granismart 1 & 2

The smallest professional granita freezer in the world, the ideal equipment for limited space of low slush, sherbet, or refrigerated drink consumption. Handy and convenient, up to 30% smaller than standard frozen drink machines.

### Low Production Capability

Each bowl holds 5 liters, up to 30% smaller than standard granita freezers.

### Dual Mode

Ability to refrigerate or freeze a wide range of products.

### Simple Deign

Easy to disassemble, Sanitize, and reassemble resulting in clean equipment and products.

### 304 Stainless Steel Panels

Excellent resistance to corrosion, Easy to clean, and appearance remains "like new" longer.

### Environmentally Friendly Refrigeration

High capacity refrigeration system for faster freeze down and quicker recovery. Easy to maintain and ozone conscious.



Granismart 1 & 2

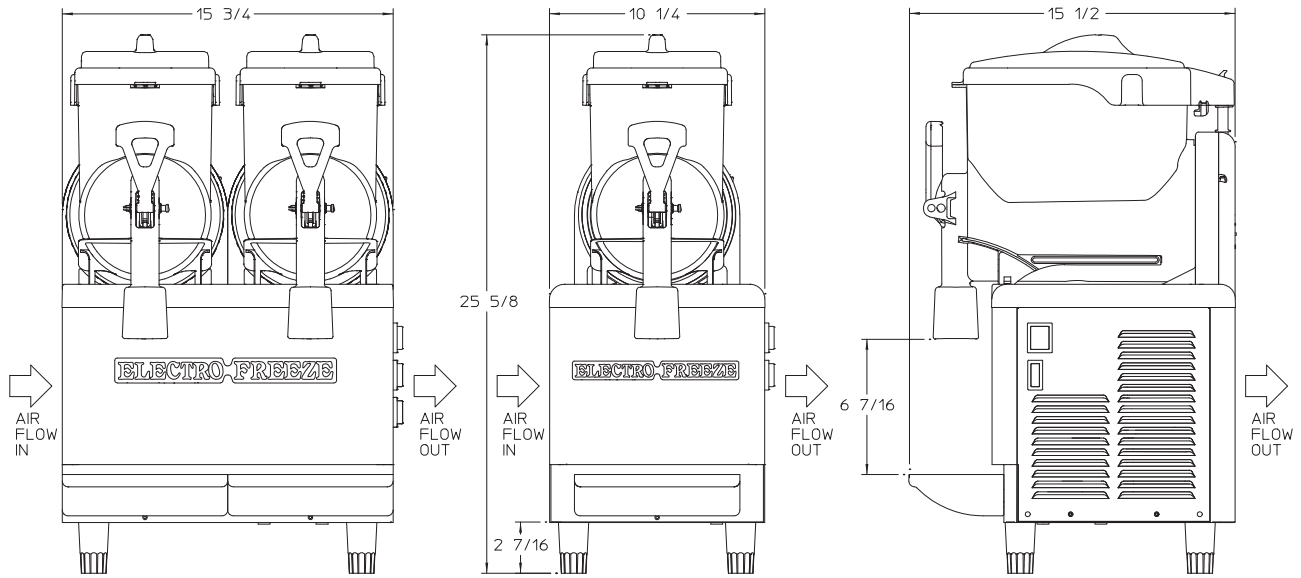
**Sweet Choice!**<sup>™</sup>

**ELECTRO FREEZE**

BATCH  
 FROZEN COCKTAIL  
 SLUSH  
 SHAKE  
 YOGURT  
 SOFT SERVE

# ELECTRO FREEZE®

## Plumbing & Electrical Connections



### Granismart 1 & 2

| SPECIFICATIONS                                       |             |            |         |         |         |       |
|--|-------------|------------|---------|---------|---------|-------|
| All specifications subject to change without notice. |             |            |         |         |         |       |
| MODEL NO.  | CAPACITY    | DIMENSIONS |         |         | NET WT. | WATTS |
|  |             | D.         | W.      | H.      |         |       |
| Granismart 1   | 1 - 5 LITER | 15 1/2"    | 10 1/4" | 25 5/8" | 50 LB.  | 300   |
|  |             | 42 CM      | 26 CM   | 65 CM   | 23 KG.  |       |
| Granismart 2   | 2 - 5 LITER | 15 1/2"    | 15 3/4" | 25 5/8" | 83 LB.  | 560   |
|  |             | 42 CM      | 40 CM   | 65 CM   | 38 KG.  |       |

Authorized Distributor

### division of H.C. DUKE & SON, INC.

2116 - 8th Avenue • East Moline, Illinois 61244  
 Phone (309) 755-4553 • (800)755-4545  
 Fax (309) 755-9858  
 E-mail: sales@electrofreeze.com • www.electrofreeze.com

184997 Printed in U.S.A. 5/07 5M

Certified and/or listed by:

